



# PEERLESS® GEAR

Your Transmission Solution

Made in the USA Since 1945

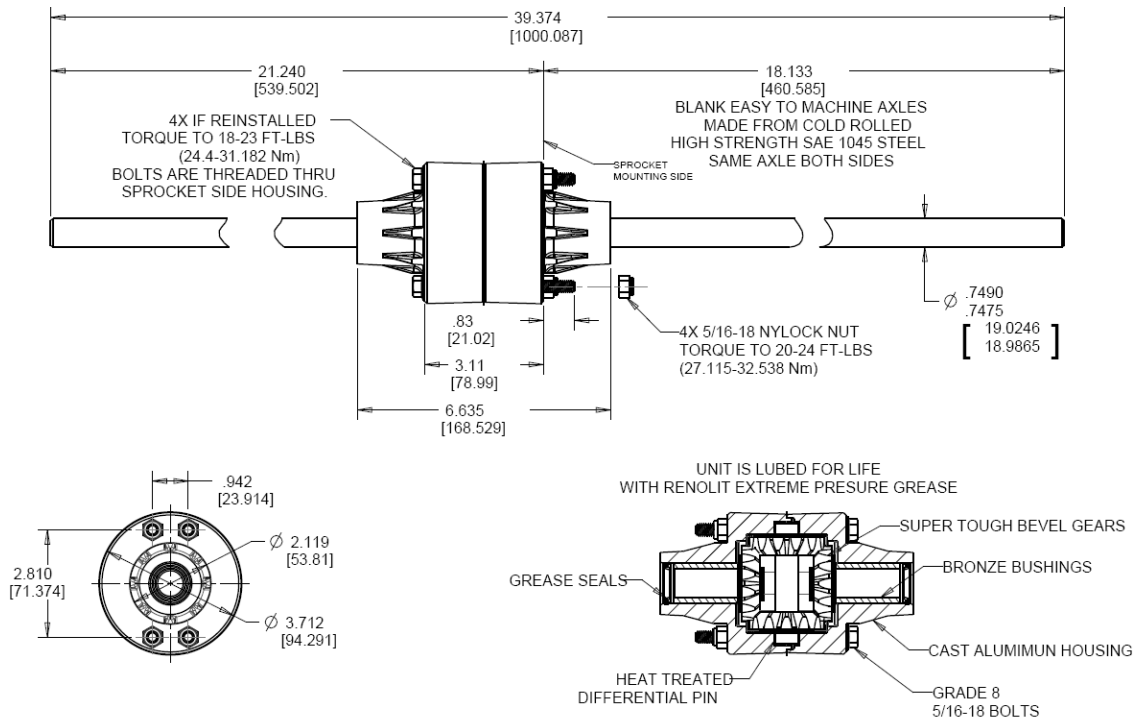


Sprocket Sold Separate

Order Part Number **794571**

Perfect for Prototyping or One-off Machinery Needs

Reference OEM No. 100-066A



BE SURE YOU'RE GETTING A GENUINE PEERLESS GEAR PRODUCT PROUDLY MANUFACTURED IN SALEM, INDIANA. SPECIFICATIONS SUBJECT TO CHANGE WITHOUT NOTICE.

Note: Sprocket **SOLD SEPARATELY**

Features	Link Words for Common Applications
3/4- Inch axles. Can be machined as needed.	<ul style="list-style-type: none"> <li>• <a href="#">Utility Vehicle</a></li> <li>• <a href="#">Go Kart</a></li> <li>• <a href="#">E-Drives</a></li> <li>• <a href="#">Snow Blade/Blower</a></li> <li>• <a href="#">Pedi Cab-Bicycle</a></li> <li>• <a href="#">In Plant Conveyor Drive</a></li> </ul>
Torque capacity 150 Ft. Lbs.	
Weight over axles dependent on customer supplied pillow block bearings 400 lbs.	



# PEERLESS® GEAR

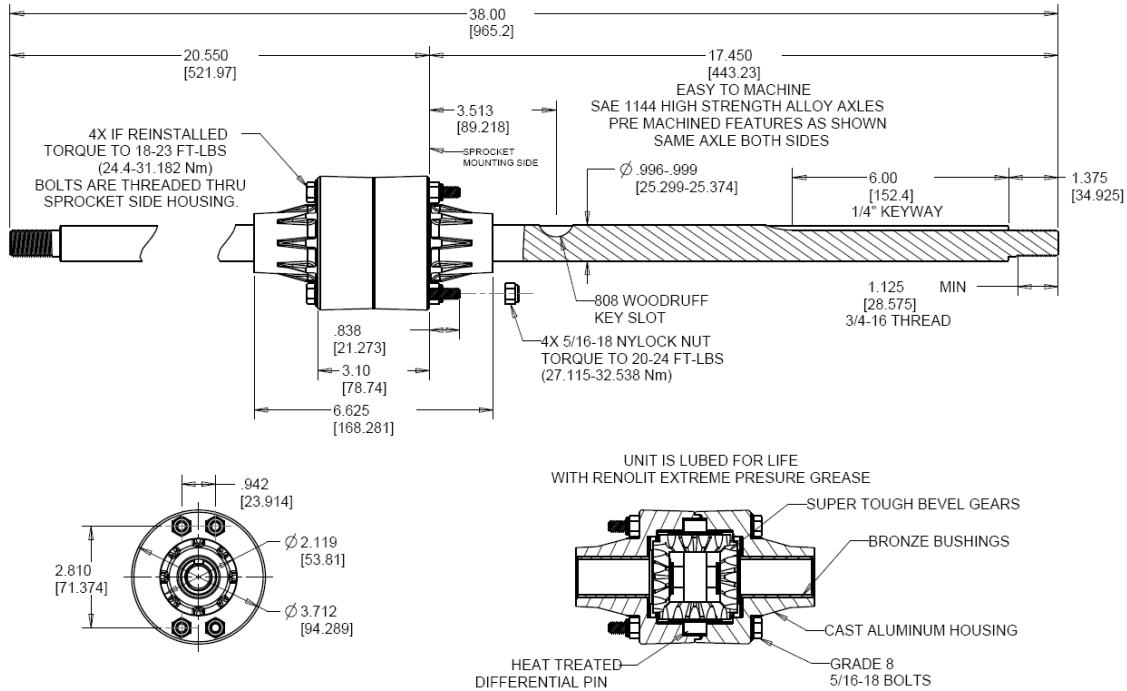
Your Transmission Solution  
Made in the USA Since 1945



Sprocket Sold Separate

Order Part Number **794102**

Heavy Duty Reference OEM Number 100-224



BE SURE YOU'RE GETTING A GENUINE PEERLESS GEAR PRODUCT PROUDLY MANUFACTURED IN SALEM, INDIANA. SPECIFICATIONS SUBJECT TO CHANGE WITHOUT NOTICE.

**Note: Sprocket SOLD SEPARATELY**

Features	Link Words to use for Common Applications
1"-Axles.	<ul style="list-style-type: none"> <li>• Utility Vehicle</li> <li>• Go Kart</li> <li>• E-Drives</li> <li>• Snow Blade/Blower</li> <li>• Pedi Cab-Bicycle</li> <li>• In Plant Drives Conveyers to Mixing Machines</li> </ul>
Torque capacity 150 Ft. Lbs.	
Weight over axles dependent on customer supplied pillow block bearings 600 lbs.	